

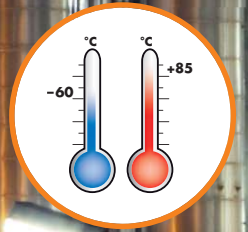
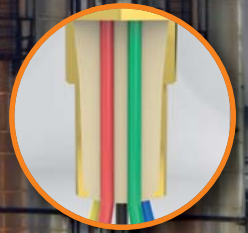
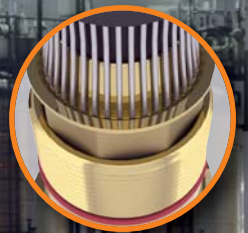
EXIOS

+ BARRIER

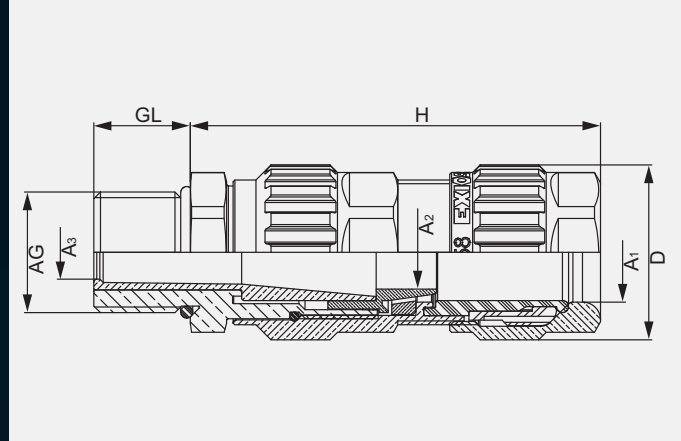
The innovative and advanced design of the EXIOS is available as a barrier version.

The EXIOS Barrier has all the outstanding EXIOS features, but uses a compound barrier to make it flameproof. Whenever installation requires a barrier gland (IEC 60079-14 / 10.4.2), EXIOS Barrier is your solution.

- According to the latest IECEx and ATEX standards
- Ex-e / Ex-d / Ex-ta
- Zones 1, 2, 20, 21, 22
- I M2 Ex d e I Mb IIC Gb / Ex ta IIIC Da
- Equipment Protection Level MbGbDa
- IP 66, 67 and 68 (5 bar)
- Halogen- and phosphorous-free
- Silicone Seals and O-Ring are standard



Type: EXIOS BARRIER	Materials and Technical Data
Material	brass, nickel-plated brass, stainless steel
Seals / O-Rings	silicone, VMQ
Compound	Epoxy-Putty
Clamping insert	PA 6
Armour	Metallic Armour or Screen
Temperature Range	-60°C – 85°C (-76°F – 185°F)
Protection	IP 66, 67 and 68 (5 bar)
Certificate	IECEX SIR 11.0044X, CSA 2557737, Sira 11 ATEX 1110X



Metric brass												
Number	Gland Size	AG	mm	D mm	H max.	GL mm	∅ A ₁ mm	A ₂ ∅ Max. Inner Sheath	A ₃ ∅ Max. over cores	Armour ∅ mm		
										Max. No. cores	Clamping ring 1	Clamping ring 2
1.606.1600.50	20-1	M 16x1,5	22	27	69,5	16	6-12	8,2	7,9	8	0-0,7	0,7-1,25
1.606.2000.50		M 20x1,5										
1.606.2000.51	20-2	M 20x1,5	24	29	74,3	16	9-16	12	8,8	10	0-0,7	0,7-1,25
1.606.2000.52	20-3	M 20x1,5	30	35	80,5	16	12,5-20,5	14	11,5	15	0-0,7	0,7-1,4
1.606.2500.51		M 25x1,5										
1.606.2500.50	25	M 25x1,5	36	42	91	16	16,9-26	20	16,4	25	0-0,7	0,9-1,6
1.606.3200.50	32	M 32x1,5	46	52	96	16	22-33	26	21,4	45	0-0,7	1,3-2,0
1.606.4000.50	40	M 40x1,5	55	64	107	16	28-41	33,2	27,6	70	0-0,7	1,3-2,0
1.606.5000.50	50	M 50x1,5	65	73	131,5	16	36-52,6	44,2	37,5	85	0-1,0	1,5-2,5
1.606.6300.50	63	M 63x1,5	80	90	144,5	16	46-65,3	56,2	47,3	120	0-1,0	1,5-2,5
1.606.7500.50	75	M 75x1,5	95	107	154	16	57-78	68,2	58,0	150	0-1,0	1,5-2,5

NPT brass												
Number	Gland Size	AG	mm	D mm	H max.	GL mm	∅ A ₁ mm	A ₂ ∅ Max. Inner Sheath	A ₃ ∅ Max. over cores	Armour ∅ mm		
										Max. No. cores	Clamping ring 1	Clamping ring 2
1.606.3800.70	20-1	NPT 3/8"	22	27	64,0	16	6-12	8,2	7,9	8	0-0,7	0,7-1,25
1.606.1200.70	20-2	NPT 1/2"	24	29	68,0	20	9-16	12	8,8	10	0-0,7	0,7-1,25
1.606.1200.71	20-3	NPT 1/2"	30	35	73,0	20	12,5-20,5	14	11,5	15	0-0,7	0,7-1,4
1.606.3400.70	25	NPT 3/4"	36	42	81,3	20,5	16,9-26	20	16,4	25	0-0,7	0,9-1,6
1.606.1000.70	32	NPT 1"	46	52	85,5	25	22-33	26	21,4	45	0-0,7	1,3-2,0
1.606.5400.70	40	NPT 1 1/4"	55	64	94,4	26	28-41	33,2	27,6	70	0-0,7	1,3-2,0
1.606.6400.70		NPT 1 1/2"										
1.606.2000.70	50	NPT 2"	65	73	116,3	27	36-52,6	44,2	37,5	85	0-1,0	1,5-2,5
1.606.5200.70	63	NPT 2 1/2"	80	90	127,6	40	46-65,3	56,2	47,3	120	0-1,0	1,5-2,5
1.606.3000.70	75	NPT 3"	95	107	136,5	41,5	57-78	68,2	58,0	150	0-1,0	1,5-2,5